

# Crystal chemistry

## Snow crystals

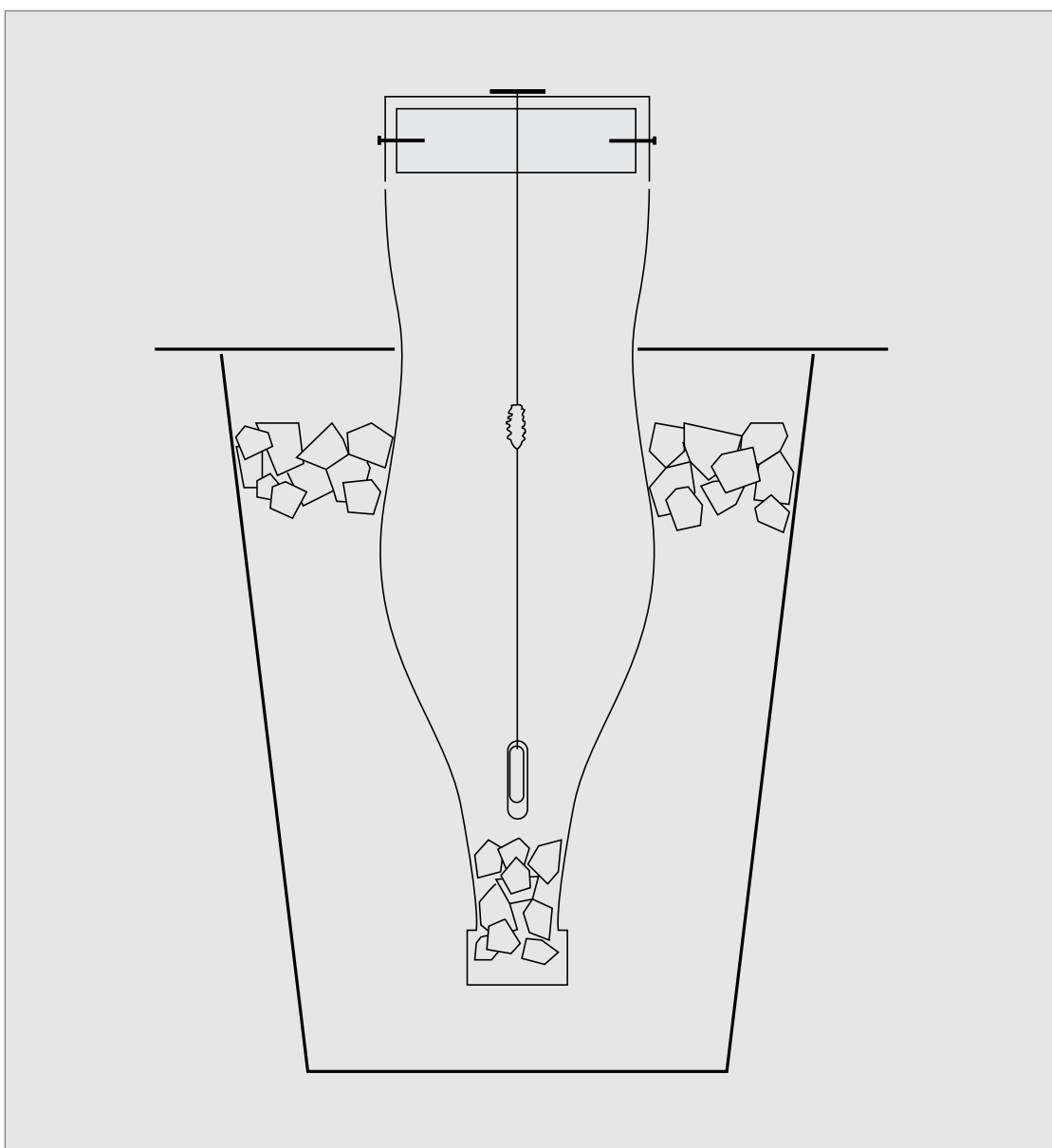
Snow is made from crystals of water. With some careful preparations, snow can be grown in a laboratory. Look at the demonstration, label the apparatus diagram and answer the questions.

### Growing snow crystals

Don't expect an avalanche - but it's true, snow can be grown!

#### What you do

Label the diagram of the apparatus used to make snow crystals with the following labels: sponge • pins • thread • paper clip • bottle • dry ice • container • cover • crystals.



continued on next page

# Crystal chemistry

---

*continued from previous page*

**Questions**

1. How big were the snow crystals? .....  
.....  
.....
2. What happened when they were lifted out of the bottle? .....  
.....  
.....
3. What conditions are needed for good snow to form? How is this like growing other types of crystals? .....  
.....  
.....  
.....  
.....

